

Part No.	IX2212
Product Name	Dual-Band Wi-Fi antenna 6cm rotatable
Feature	Wi-Fi 2.4 and 5 GHz RP-SMA Male Connector Max Peak Gain compliant CE Certified RoHS & Reach compliant

Electrical

Band	Wi-Fi 2.4 GHz
Frequency (MHz)	2400~2500
Efficiency Straight*	76.7%
Efficiency 90° Bent*	75.9%
Average Gain(dBi)*	-1.2
Peak Gain Straight(dBi)*	2.8
Peak Gain 90° Bent(dBi)*	2.7
Impedance	50 Ω
Polarization	Linear
Radiation Pattern	Omni-directional
Max Power Input	10 W

*in free space

Band	Wi-Fi 5 GHz
Frequency (MHz)	5150~5850
Efficiency Straight*	87.5%
Efficiency 90° Bent*	82.1%
Average Gain Straight(dBi)*	-0.6
Average Gain 90° Bent(dBi)*	-0.9
Peak Gain Straight(dBi)*	3.6
Peak Gain 90° Bent(dBi)*	2.8
Impedance	50 Ω
Polarization	Linear
Radiation Pattern	Omni-directional
Max Power Input	10 W

*in free space

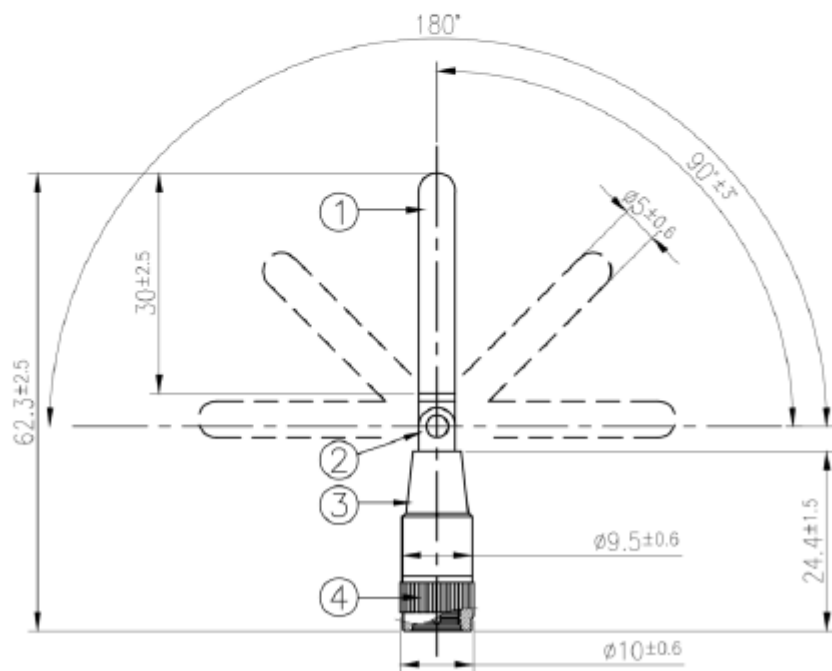
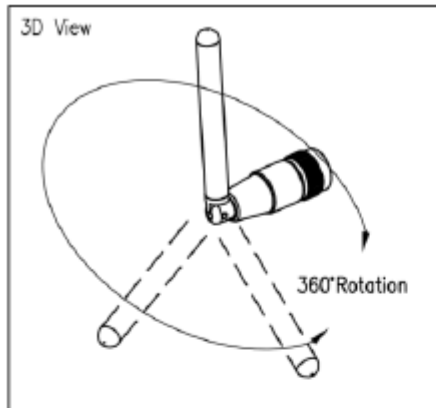


Environmental

Operating Temperature -40°C to 85°C

Storage Temperature -40°C to 85°C

Mechanical drawing (unit:mm)



IXON makes no warranties based on the accuracy or completeness of the contents of this document and reserves the right to make changes to specifications and product descriptions at any time without notice. IXON reserves all rights to this document and the information contained herein. Reproduction, use or disclosure to third parties without express permission is strictly prohibited. Copyright © IXON B.V.